

PARTS LIST

[KD-SX991R]
[KD-SX911R]

* All printed circuit boards and its assemblies are not available as service parts.

Area suffix
E ----- Continental Europe

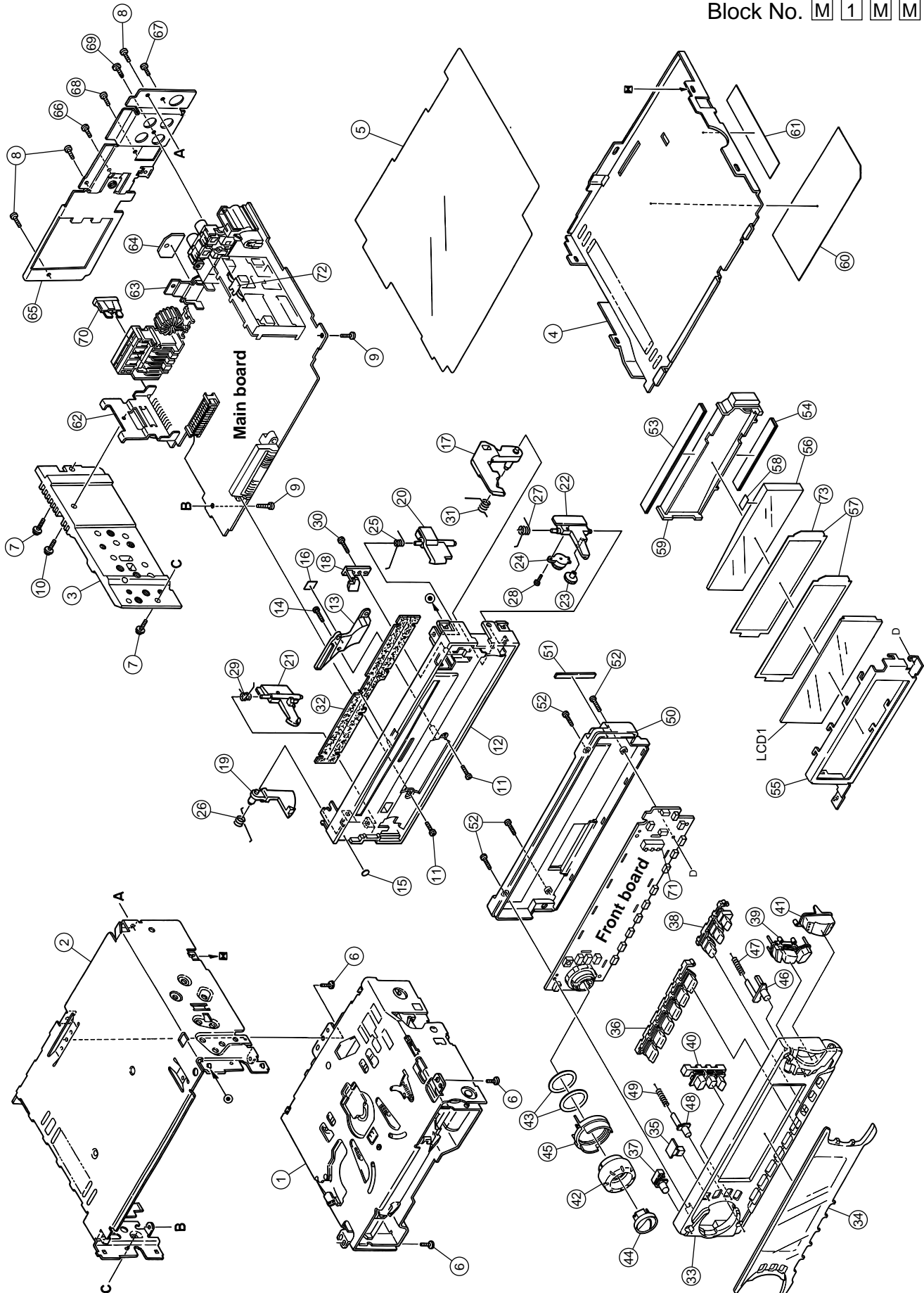
- Contents -

Exploded view of general assembly and parts list	3- 2
CD mechanism assembly and parts list	3- 5
Electrical parts list	3- 8
Packing materials and accessories parts list	3-14

Exploded view of general assembly and parts list

Block No.

M	1	M	M
---	---	---	---



Parts list (General assembly)

Block No. M1MM

△	Item	Parts number	Parts name	Q'ty	Description	Area
	1	-----	CD MECHA	1		
	2	FSJC1029-404	TOP CHASSIS	1		
	3	FSMH3001-204	SIDE PANEL	1		
	4	FSKM3011-002	BOTTOM COVER	1		
	5	FSMA3005-001	INSULATOR	1		
	6	QYSDST2604Z	SCREW	3	CHASSIS+CD MECHA	
	7	FSKZ4005-001	SCREW	2	CHASSIS+SIDE PANEL	
	8	QYSDST2604Z	SCREW	3	CHASSIS+REAR BKT	
	9	QYSDST2606Z	SCREW	2	CHASSIS+MAIN PWB	
	10	FSKZ4005-001	SCREW	1	SIDE PANEL+IC BKT	
	11	QYSDSF2006M	SCREW	2	F.CHASSIS+CONNECTOR	
	12	FSJC1061-002	FRONT CHASSIS	1		
	13	VJK3709-002	LIGHT LENS	1		
	14	VKZ4777-001	MINI SCREW	1	L.LENS+F.CHASSIS	
	15	FSYH4036-057	SHEET	1		
	16	FSYH4036-055	SHEET	1	LIGHT LENS	
	17	FSKS3014-001	OPEN LEVER	1		
	18	FSKS3015-001	LOCK LEVER(O.L)	1		
	19	VKS3798-002	RELEASE LEVER	1		
	20	VKS3793-001	LOCK LEVER(TOP)	1		
	21	VKS3794-003	LOCK LEVER(L)	1		
	22	VKS3795-002	LOCK LEVER(R)	1		
	23	VKS5563-001	GEAR	1		
	24	VKZ4786-002	OIL DAMPER	1		
	25	FSKW4012-001	T.SPRING	1	FOR L.LEVER(TOP)	
	26	VKW5264-005	T.SPRING	1	FOR RELEASE LEVER	
	27	VKW5262-001	T.SPRING	1	FOR L.LEVER(R)	
	28	QYSDSF2006M	SCREW	1	DAMPER+L.LEVER(R)	
	29	VKW5263-002	T.SPRING	1	FOR L.LEVER(L)	
	30	VKZ4777-001	MINI SCREW	1	LOCK LEVER(O.L.)	
	31	FSKW4013-002	T.SPRING	1	FOR OPEN LEVER	
	32	VYTA526-002	BLIND	1		
	33	GE10005-001A	FRONT PANEL	1		
	34	GE30113-011A	FINDER ASSY	1	KD-SX911R	
		GE30113-010A	FINDER ASSY	1	KD-SX991R	
	35	FSJK4009-001	REMOTE LENS	1		
	36	GE20104-001B	PRESET BUTTON	1	1-6 (2 COLOUR)	
	37	GE30105-002B	POWER BUTTON	1		
	38	GE30106-001A	SND FUNC BUTTON	1	RPT,RND,SCM	
	39	GE20110-003C	D.FUNC BUTTON	1	CD,F/A,CD-CH	
	40	GE20103-001A	PUSH BUTTON(3)	1		
	41	GE20109-001C	UP DOWN BUTTON	1		
	42	GE30103-001B	KNOB	1		
	43	LV40833-001A	SPACER	2		
	44	GE30102-002A	SEL BUTTON	1		
	45	GE30104-001A	RIM LENS	1		
	46	GE30115-002A	EJECT BUTTON	1		
	47	VKW3001-330	COMP.SPRING	1	FOR EJECT BUTTON	

Parts list (General assembly)

Block No. M1MM

△	Item	Parts number	Parts name	Q'ty	Description	Area
	48	GE30116-001A	DETACH BUTTON	1		
	49	VKW3001-330	COMP.SPRING	1	FOR DETACH BUTTON	
	50	GE10006-001A	REAR COVER	1		
	51	FSYH4036-035	SHEET	1		
	52	VKZ4777-001	MINI SCREW	4	FRONT+REAR	
	53	QNZ0449-001	RUBBER CONNECTOR	1		
	54	QNZ0450-001	RUBBER CONNECTOR	1		
	55	GE30114-001A	LCD CASE	1		
	56	FSJK3028-001	LCD LENS	1		
	57	FSYH4061-001	LIGHTNG SHEET	2	KD-SX991R	
		FSYH4061-001	LIGHTNG SHEET	1	KD-SX911R	
	58	FSYH4036-052	SHEET	1		
	59	FSKS3013-001	LENS CASE	1		
	60	GE30157-002A	NAME PLATE	1	KD-SX991R	
		GE30156-002A	NAME PLATE	1	KD-SX911R	
	61	LV41843-001A	LASER CAUTION	1		
	62	FSKL4024-001	IC BRACKET	1		
	63	GE40103-001A	REG BRACKET	1		
	64	GE40104-002B	HEAT SINK	1		
	65	FSKM3012-014	REAR BRACKET	1		
	66	QYSDST2606Z	SCREW	1	REAR BKT+REG BKT	
	67	QYSDST2606Z	SCREW	1	REAR BKT+ANT JACK	
	68	QYSDST2606Z	SCREW	1	REAR BKT+CD IN JACK	
	69	QYSDSF3006Z	SCREW	1	REAR BKT+PIN JACK	
△	70	QMFZ047-150-T	FUSE	1		
	71	FSKS3017-002	LED HOLDER	1		
	72	VMA4652-001SS	EARTH PLATE	1		
	73	FSYH4061-002	LIGHTNG SHEET	1	KD-SX911R	
	LCD 1	QLD0164-001	LCD MODULE	1	KD-SX911R	
		QLD0163-001	LCD MODULE	1	KD-SX991R	

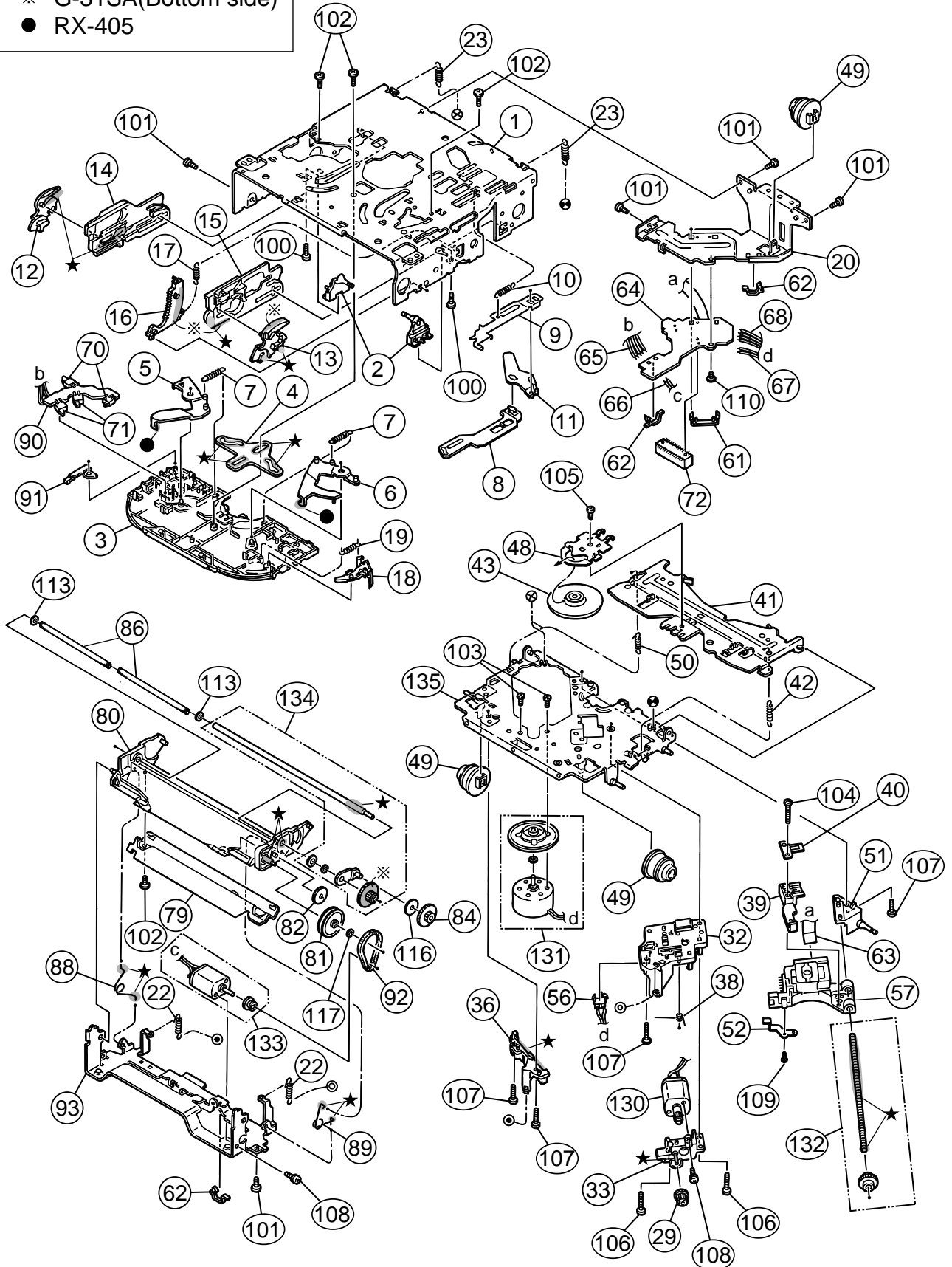
CD mechanism assembly and parts list

Grease

- ★ G-31SA
- ※ G-31SA(Bottom side)
- RX-405

TN-CCD1001Z-136J

Block No. M 2 M M



■ Parts list (CD mechanism)

Block No. M2MM

△	Item	Parts number	Parts name	Q'ty	Description	Area
	1	30310101T	FRAME	1		
	2	30310103T	DANPER PIN	2		
	3	30310107T	UPPER PLATE	1		
	4	30310108T	SEL STOP PLATE	1		
	5	30310142T	SEL ARM (L)L	1		
	6	30310143T	SEL ARM (R)L	1		
	7	30310145T	S ARM SPRING(L)	2		
	8	30310112T	TRIG LEVER	1		
	9	30310155T	TRIG PL(Z)	1		
	10	30310115T	TRIG PL SPRING	1		
	11	30310116T	TRIG ARM	1		
	12	30310134T	FIX ARM (L)B	1		
	13	30310159T	FIX ARM (R)Z	1		
	14	30310150T	FIX PL (L)Z	1		
	15	30310156T	FIX PL (R) Z	1		
	16	30310138T	LDG GR (6)B	1		
	17	30310122T	LDG GEAR (6)SP	1		
	18	30310148T	S.L ARM(N)	1		
	19	30310125T	S.L ARM SPRING	1		
	20	30310149T	REAR DAM BKT(Z)	1		
	22	30310151T	HUNG UP SP (FZ)	2		
	23	30310129T	HUNG UP SP (R)	2		
	29	30300510T	PU GEAR(B)	1		
	32	30310544T	F.M.BASE(Z)	1		
	33	30310547T	FD GR BLK(Z)	1		
	36	30310546T	PU GUIDE(Z)	1		
	38	30310533T	THRUST SPR(M)	1		
	39	30310548T	PU M NUT(Z)	1		
	40	30310512T	NUT PUSH SPR PL	1		
	41	30310558T	CLP ARM(Z)	1		
	42	30310514T	CLP ARM SPRING	1		
	43	30310552T	CLAMPER(Z)	1		
	48	30310557T	CLAMPER PLATE(Z)	1		
	49	30310524T	DAMPER (J)	3		
	50	30310525T	CLP ARM SPR (L)	1		
	51	30310545T	F SCREW GUIDE(Z)	1		
	52	30310556T	PU G.SP PLT(Z)	1		
	56	64180405T	DET SW	1	ESE11SF4	
	57	OPTIMA-720L1	C.D PICK (CAR)	1		
	61	30311035T	FPC HOLDER(Z)	1		
	62	19501403T	WIRE CLAMPER	3		
	63	30311037T	PICK UP FPC(Z)	1		
	64	30311036T	CONNECT.PCB(Z-J)	1		
	65	30311038T	WIRE (5P-Z)	1		
	66	30311039T	WIRE (LD-Z)	1		
	67	30311040T	WIRE (FD-Z)	1		
	68	30311041T	WIRE (RS-Z)	1		
	70	64180402T	DET SWITCH	2	ESE22MH1	

Parts list (CD mechanism)

Block No. M2MM

△	Item	Parts number	Parts name	Q'ty	Description	Area
	71	64180403T	DET SWITCH	2	ESE22MH3	
	72	68150232T	CONNECTOR	1	TKC-W26X-C1	
	79	30311105T	SOPPORT PLATE	1		
	80	30311138T	GR MT BLK(N)	1		
	81	30311109T	LDG GEAR (2)	1		
	82	30311110T	LDG GEAR (3)	1		
	84	30311112T	LDG GEAR (5)	1		
	86	30311136T	LDG ROLLER	2		
	88	30311118T	L.P SPRING (L)	1		
	89	30311119T	L.P SPRING (R)	1		
	90	30311123T	SW PCB	1		
	91	30311124T	SW ACTUATOR	1		
	92	30311129T	LDG BELT	1		
	93	30311140T	FRONT BRKT (J)	1		
	100	9C0620503T	C B TAP SCREW	2	M2X5	
	101	9C2020401T	C SCREW TS.G	5	M2X4	
	102	9C4320403T	C B TAP SCREW	4	M2X4	
	103	9C0117223T	SCREW	2	M1.7X2.2	
	104	9C0917703T	C TAP SCREW S3	1	M1.7X7	
	105	9C0320201T	C TAP SCREW S3	1	M2X2	
	106	9C4920013T	C TAP SCREW S3	2	M2X10	
	107	9C4920603T	C TAP SCREW B3	4	M2X6	
	108	9P0220031T	TAMS SCREW	2	M2X3	
	109	9C0314203T	C TAP SCREW	1	M1.4X2	
	110	9C0420253	C TAP SCREW	1	M2X2.5	
	113	9W0330276	NW BLUE	2	2.9X5X0.3	
	116	9W0725030T	LUMILAR W	1	2.3X9.8X0.25	
	117	9W0640030T	WASHER	1	1.4X3.2X0.4	
	130	303105310T	FEED MO ASSY	1		
	131	303105311T	SPINDLE MO ASSY	1		
	132	303105312T	FEED SCREW ASSY	1		
	133	303111301T	LDG MOTOR ASSY	1		
	134	303111302T	RDG RLR SFT ASY	1		
	135	303105502T	T.T.BASE ASSY	1		

■ Electrical parts list (Main board)

Block No. 01

△	Item	Parts number	Parts name	Remarks	Area
	BZ841	QAN0009-001Z	BUZZER		
	C 1	QEKJ1CM-226Z	E CAPACITOR	22MF 20% 16V	
	C 2	NCB31EK-473X	C CAPACITOR		
	C 3	NCB31EK-103X	C CAPACITOR		
	C 4	QERF1AM-227Z	E CAPACITOR	220MF 20% 10V	
	C 5	QEKJ1HM-104Z	E CAPACITOR	0.1MF 20% 50V	
	C 6	NCB31HK-103X	C CAPACITOR		
	C 31	QEKJ1AM-107Z	E CAPACITOR	100MF 20% 10V	
	C 32	NCS31HJ-470X	C CAPACITOR		
	C 33	QEKJ0JM-476Z	E CAPACITOR	47MF 20% 6.3V	
	C 34	NCB31EK-473X	C CAPACITOR		
	C 35	NDC31HJ-100X	C CAPACITOR		
	C 36	NDC31HJ-7R0X	C CAPACITOR		
	C 37	NDC31HJ-100X	C CAPACITOR		
	C 38	NCB31HK-102X	C CAPACITOR		
	C 39	NCB31HK-102X	C CAPACITOR		
	C 40	QEKJ1CM-106Z	E CAPACITOR	10MF 20% 16V	
	C 41	NCB31EK-473X	C CAPACITOR		
	C 42	NCB31HK-103X	C CAPACITOR		
	C 43	QFV61HJ-473Z	MF CAPACITOR	0.047MF 5% 50V	
	C 44	NCB31HK-103X	C CAPACITOR		
	C 45	NCB31HK-272X	C CAPACITOR		
	C 46	NCB31HK-103X	C CAPACITOR		
	C 47	NCB31HK-103X	C CAPACITOR		
	C 48	NCB31EK-473X	C CAPACITOR		
	C 49	NCB31HK-103X	C CAPACITOR		
	C 50	NCS31HJ-101X	C CAPACITOR		
	C 51	NCS31HJ-331X	C CAPACITOR		
	C 52	NCB31HK-103X	C CAPACITOR		
	C 53	NCB31EK-472X	C CAPACITOR		
	C 54	NCB31EK-104X	C CAPACITOR		
	C 55	QEKJ1HM-474Z	E CAPACITOR	0.47MF 20% 50V	
	C 71	NCS31HJ-561X	C CAPACITOR		
	C 72	NCB31EK-223X	C CAPACITOR		
	C 73	QERF1HM-225Z	E CAPACITOR	2.2MF 20% 50V	
	C 74	NDC31HJ-820X	C CAPACITOR		
	C 75	NDC31HJ-470X	C CAPACITOR		
	C 76	NCB31HK-103X	C CAPACITOR		
	C 77	QERF0JM-476Z	E CAPACITOR	47MF 20% 6.3V	
	C 81	QERF1HM-105Z	E CAPACITOR	1.0MF 20% 50V	
	C 82	NCB31HK-821X	C CAPACITOR		
	C 83	NCB31EK-104X	C CAPACITOR		
	C 84	NCB31HK-153X	C CAPACITOR		
	C 91	QERF1HM-105Z	E CAPACITOR	1.0MF 20% 50V	
	C 92	NCB31HK-821X	C CAPACITOR		
	C 94	NCB31HK-153X	C CAPACITOR		
	C 161	QEKJ1HM-105Z	E CAPACITOR	1.0MF 20% 50V	
	C 162	QEKJ1HM-105Z	E CAPACITOR	1.0MF 20% 50V	
	C 163	QEKJ1HM-105Z	E CAPACITOR	1.0MF 20% 50V	
	C 164	NCB31HK-103X	C CAPACITOR		
	C 165	QEKJ1CM-106Z	E CAPACITOR	10MF 20% 16V	
	C 166	NCB31EK-104X	C CAPACITOR		
	C 167	NCS31HJ-471X	C CAPACITOR		
	C 168	NCB31CK-104X	C CAPACITOR		
	C 169	QEKJ1EM-475Z	E CAPACITOR	4.7MF 20% 25V	
	C 170	QEKJ1EM-475Z	E CAPACITOR	4.7MF 20% 25V	
	C 171	QEKJ1HM-105Z	E CAPACITOR	1.0MF 20% 50V	
	C 172	QEKJ1HM-105Z	E CAPACITOR	1.0MF 20% 50V	
	C 173	QEKJ1HM-105Z	E CAPACITOR	1.0MF 20% 50V	
	C 174	NCB31HK-103X	C CAPACITOR		
	C 175	QEKJ1CM-106Z	E CAPACITOR	10MF 20% 16V	
	C 176	NCB31EK-104X	C CAPACITOR		
	C 177	NCS31HJ-471X	C CAPACITOR		

△	Item	Parts number	Parts name	Remarks	Area
	C 178	NCB31CK-104X	C CAPACITOR		
	C 179	QEKJ1EM-475Z	E CAPACITOR	4.7MF 20% 25V	
	C 180	QEKJ1EM-475Z	E CAPACITOR	4.7MF 20% 25V	
	C 185	NCB31HK-472X	C CAPACITOR		
	C 186	NCS31HJ-471X	C CAPACITOR		
	C 187	QEKJ1CM-106Z	E CAPACITOR	10MF 20% 16V	
	C 188	NCB31EK-472X	C CAPACITOR		
	C 189	NCB31AK-224X	C CAPACITOR		
	C 190	NCB31AK-224X	C CAPACITOR		
	C 191	QEKJ1CM-476Z	E CAPACITOR	47MF 20% 16V	
	C 193	QEKJ1AM-107Z	E CAPACITOR	100MF 20% 10V	
	C 194	NCB31HK-103X	C CAPACITOR		
	C 195	NCB31HK-472X	C CAPACITOR		
	C 196	NCS31HJ-471X	C CAPACITOR		
	C 197	QEKJ1CM-106Z	E CAPACITOR	10MF 20% 16V	
	C 198	NCB31EK-472X	C CAPACITOR		
	C 199	NCB31AK-224X	C CAPACITOR		
	C 200	NCB31AK-224X	C CAPACITOR		
	C 201	NCB31EK-104X	C CAPACITOR		
	C 202	QEKJ1EM-475Z	E CAPACITOR	4.7MF 20% 25V	
	C 241	QEKJ1HM-105Z	E CAPACITOR	1.0MF 20% 50V	
	C 242	QEKJ1CM-226Z	E CAPACITOR	22MF 20% 16V	
	C 243	NCB31EK-473X	C CAPACITOR		
	C 244	NCB21HK-153X	C CAPACITOR		
	C 301	QERF1HM-225Z	E CAPACITOR	2.2MF 20% 50V	
	C 302	QERF1HM-225Z	E CAPACITOR	2.2MF 20% 50V	
	C 303	NCS31HJ-391X	C CAPACITOR		
	C 304	NCS31HJ-391X	C CAPACITOR		
	C 311	QERF1HM-225Z	E CAPACITOR	2.2MF 20% 50V	
	C 312	QERF1HM-225Z	E CAPACITOR	2.2MF 20% 50V	
	C 313	NCS31HJ-391X	C CAPACITOR		
	C 314	NCS31HJ-391X	C CAPACITOR		
	C 315	QERF1CM-475Z	E CAPACITOR	4.7MF 20% 16V	
	C 316	QERF1EM-475Z	E CAPACITOR	4.7MF 20% 25V	
	C 317	QERF1CM-476Z	E CAPACITOR	47MF 20% 16V	
	C 318	QEKJ1CM-226Z	E CAPACITOR	22MF 20% 16V	
	C 319	NCB31EK-223X	C CAPACITOR		
	C 320	NCB31EK-223X	C CAPACITOR		
	C 321	NCB31EK-473X	C CAPACITOR		
	C 322	NCB31EK-104X	C CAPACITOR		
	C 323	NCB31EK-104X	C CAPACITOR		
	C 324	NCB31EK-104X	C CAPACITOR		
	C 325	NCB31EK-104X	C CAPACITOR		
	C 341	NCB31EK-473X	C CAPACITOR		
	C 501	QERF1AM-227Z	E CAPACITOR	220MF 20% 10V	
	C 502	NCB31HK-103X	C CAPACITOR		
	C 503	QERF1CM-226Z	E CAPACITOR	22MF 20% 16V	
	C 521	NCB31HK-103X	C CAPACITOR		
	C 522	NCB31HK-103X	C CAPACITOR		
	C 523	NCB31HK-103X	C CAPACITOR		
	C 524	QEKJ0JM-107Z	E CAPACITOR	100MF 20% 6.3V	
	C 525	NCB31HK-103X	C CAPACITOR		
	C 526	QEKJ0JM-107Z	E CAPACITOR	100MF 20% 6.3V	
	C 527	QERF0JM-107Z	E CAPACITOR	100MF 20% 6.3V	
	C 528	NCS31HJ-101X	C CAPACITOR		
	C 529	NCB31HK-103X	C CAPACITOR		
	C 530	QERF0JM-107Z	E CAPACITOR	100MF 20% 6.3V	
	C 531	NCB31EK-104X	C CAPACITOR		
	C 532	NCB31EK-104X	C CAPACITOR		
	C 533	NDC31HJ-560X	C CAPACITOR		
	C 541	QEKJ0JM-107Z	E CAPACITOR	100MF 20% 6.3V	
	C 542	NCB31HK-103X	C CAPACITOR		
	C 543	QEKJ1HM-105Z	E CAPACITOR	1.0MF 20% 50V	

■ Electrical parts list (Main board)

Block No. 01

△	Item	Parts number	Parts name	Remarks	Area	△	Item	Parts number	Parts name	Remarks	Area
	C 544	QEKJ0JM-107Z	E CAPACITOR	100MF 20% 6.3V			C 891	NCB31EK-104X	C CAPACITOR		
	C 545	NCB31HK-103X	C CAPACITOR				C 901	QEZ0338-228	E CAPACITOR	2200MF	
	C 546	QEKJ0JM-107Z	E CAPACITOR	100MF 20% 6.3V			C 902	QERF1HM-225Z	E CAPACITOR	2.2MF 20% 50V	
	C 547	NCS31HJ-470X	C CAPACITOR				C 903	QERF1CM-476Z	E CAPACITOR	47MF 20% 16V	
	C 548	NCB31HK-153X	C CAPACITOR				C 904	QERF1CM-106Z	E CAPACITOR	10MF 20% 16V	
	C 549	QERF0JM-107Z	E CAPACITOR	100MF 20% 6.3V			C 905	QERF1CM-226Z	E CAPACITOR	22MF 20% 16V	
	C 550	NCB31HK-103X	C CAPACITOR				C 906	NCB31HK-103X	C CAPACITOR		
	C 551	NCB31HK-272X	C CAPACITOR				C 907	QERF1AM-227Z	E CAPACITOR	220MF 20% 10V	
	C 552	NCB31HK-103X	C CAPACITOR				C 908	QERF1AM-227Z	E CAPACITOR	220MF 20% 10V	
	C 553	QERF0JM-107Z	E CAPACITOR	100MF 20% 6.3V			C 909	QERF1AM-227Z	E CAPACITOR	220MF 20% 10V	
	C 554	NCB31HK-103X	C CAPACITOR				C 910	QERF1CM-476Z	E CAPACITOR	47MF 20% 16V	
	C 555	NCB31EK-333X	C CAPACITOR				C 911	NCB31CK-104X	C CAPACITOR		
	C 556	NCB31HK-332X	C CAPACITOR				C 912	NCB31HK-103X	C CAPACITOR		
	C 557	NCS31HJ-561X	C CAPACITOR				C 914	QERF1CM-107Z	E CAPACITOR	100MF 20% 16V	
	C 558	QERF0JM-107Z	E CAPACITOR	100MF 20% 6.3V			C 915	NCB31CK-104X	C CAPACITOR		
	C 559	NCB31EK-473X	C CAPACITOR				C 961	NCS31HJ-101X	C CAPACITOR		
	C 560	NCB31EK-473X	C CAPACITOR				C 962	NCS31HJ-101X	C CAPACITOR		
	C 561	NCB31EK-473X	C CAPACITOR				C 963	NCS31HJ-101X	C CAPACITOR		
	C 562	NCB31EK-473X	C CAPACITOR				C 964	NCS31HJ-101X	C CAPACITOR		
	C 563	QEKJ0JM-107Z	E CAPACITOR	100MF 20% 6.3V			C 965	NCS31HJ-101X	C CAPACITOR		
	C 564	NCB31HK-103X	C CAPACITOR				C 966	NCS31HJ-101X	C CAPACITOR		
	C 565	NCB31HK-103X	C CAPACITOR				C 967	NCS31HJ-101X	C CAPACITOR		
	C 566	NDC31HJ-100X	C CAPACITOR				C 968	NCS31HJ-101X	C CAPACITOR		
	C 567	NDC31HJ-100X	C CAPACITOR				C 971	NCB31EK-104X	C CAPACITOR		
	C 568	NCB31HK-103X	C CAPACITOR				CN501	QGB2027M1-26S	CONNECTOR		
	C 569	QEKJ0JM-107Z	E CAPACITOR	100MF 20% 6.3V			CN701	QNZ0007-002	CAR CONNECTOR		
	C 570	NCS31HJ-101X	C CAPACITOR				CN901	QNZ0112-001	CAR CONNECTOR		
	C 571	QEKJ0JM-107Z	E CAPACITOR	100MF 20% 6.3V			D 1	1SS133-T1	SI DIODE		
	C 572	QEKJ0JM-107Z	E CAPACITOR	100MF 20% 6.3V			D 2	1SS133-T1	SI DIODE		
	C 573	NCB31HK-103X	C CAPACITOR				D 3	1SS133-T1	SI DIODE		
	C 581	NCS31HJ-821X	C CAPACITOR				D 4	1SS355-X	DIODE		
	C 582	QEKJ1EM-475Z	E CAPACITOR	4.7MF 20% 25V			D 5	1SS355-X	DIODE		
	C 583	QEKJ0JM-476Z	E CAPACITOR	47MF 20% 6.3V			D 240	1SS355-X	DIODE		
	C 584	NCS31HJ-121X	C CAPACITOR				D 241	1SS355-X	DIODE		
	C 591	NCS31HJ-821X	C CAPACITOR				D 242	1SS133-T1	SI DIODE		
	C 592	QEKJ1EM-475Z	E CAPACITOR	4.7MF 20% 25V			D 243	1SS133-T1	SI DIODE		
	C 593	QEKJ0JM-476Z	E CAPACITOR	47MF 20% 6.3V			D 321	1SS355-X	DIODE		
	C 594	NCS31HJ-121X	C CAPACITOR				D 331	1SS355-X	DIODE		
	C 595	QEKJ1AM-107Z	E CAPACITOR	100MF 20% 10V			D 341	1SS355-X	DIODE		
	C 596	NCB31HK-103X	C CAPACITOR				D 351	1SS355-X	DIODE		
	C 701	NDC31HJ-220X	C CAPACITOR				D 501	DSK10C-T1	DIODE		
	C 702	NDC31HJ-270X	C CAPACITOR				D 701	UDZS5.6B-X	ZENER DIODE		
	C 703	NDC31HJ-270X	C CAPACITOR				D 702	UDZS5.6B-X	ZENER DIODE		
	C 704	NDC31HJ-8R0X	C CAPACITOR				D 703	UDZS5.6B-X	ZENER DIODE		
	C 705	NCB31EK-473X	C CAPACITOR				D 704	UDZS5.6B-X	ZENER DIODE		
	C 706	NCB31EK-473X	C CAPACITOR				D 705	UDZS5.6B-X	ZENER DIODE		
	C 707	NCB31EK-473X	C CAPACITOR				D 706	UDZS5.6B-X	ZENER DIODE		
	C 708	NCB31EK-473X	C CAPACITOR				D 707	UDZS5.6B-X	ZENER DIODE		
	C 709	NCB31HK-103X	C CAPACITOR				D 708	UDZS5.6B-X	ZENER DIODE		
	C 710	QEKJ0JM-476Z	E CAPACITOR	47MF 20% 6.3V			D 709	UDZS5.6B-X	ZENER DIODE		
	C 711	QERF1AM-107Z	E CAPACITOR	100MF 20% 10V			D 710	1SS355-X	DIODE		
	C 712	NCB31HK-103X	C CAPACITOR				D 712	UDZS5.6B-X	ZENER DIODE		
	C 713	NCB31HK-103X	C CAPACITOR				D 713	UDZS5.6B-X	ZENER DIODE		
	C 716	NCB31EK-104X	C CAPACITOR				D 714	QLL0033-001	LAMP		
	C 717	NCB31EK-104X	C CAPACITOR				D 781	1SS133-T1	SI DIODE		
	C 771	NCB31EK-473X	C CAPACITOR				D 782	1SS133-T1	SI DIODE		
	C 781	QERF0JM-476Z	E CAPACITOR	47MF 20% 6.3V			D 784	UDZ11B-X	ZENER DIODE		
	C 782	NCB31EK-823X	E CAPACITOR				D 891	1SS355-X	DIODE		
	C 784	QERF1CM-107Z	E CAPACITOR	100MF 20% 16V			D 892	1SS355-X	DIODE		
	C 801	NCB31EK-473X	C CAPACITOR				D 901	1N5401-TU-15	DIODE		
	C 802	NCB31HK-103X	C CAPACITOR				D 902	1SS355-X	DIODE		
	C 841	QERF1HM-104Z	E CAPACITOR	0.1MF 20% 50V			D 971	CRS03-W	SB DIODE		
	C 881	QERF1CM-226Z	E CAPACITOR	22MF 20% 16V			D 972	CRS03-W	SB DIODE		

■ Electrical parts list (Main board)

Block No. 01

△	Item	Parts number	Parts name	Remarks	Area
	IC 31	TB2118F-X	IC		
	IC 71	SAA6579T-X	IC		
	IC161	BD3860K	IC		
	IC301	LA4743K	IC		
	IC501	LA6567H-X	IC		
	IC521	TA2109F-X	IC		
	IC541	TC9462F	IC		
	IC581	NJM4565M-WE	IC		
	IC701	UPD784215AGC127	IC		
	IC702	IC-PST600M/G-W	IC		
	IC771	M24C16-WMN6-X	IC		
	IC801	HD74HC126FP-X	IC		
	IC901	HA13164	IC		
	J 1	QNB0100-001	CAR ANT JACK		
	J 321	QNN0176-001	PIN JACK	KD-SX991R	
	J 321	QNN0175-001	PIN JACK	KD-SX911R	
	J 801	QNZ0095-001	CONNECTOR		
	L 1	QQL244J-4R7Z	INDUCTOR		
	L 541	QQL244J-4R7Z	INDUCTOR		
	L 542	QQL244J-4R7Z	INDUCTOR		
	L 701	QQL244K-4R7Z	INDUCTOR		
	L 901	QQR0703-001	CHOKE COIL		
	Q 1	2SD601A/R/-X	TRANSISTOR		
	Q 2	2SD601A/R/-X	TRANSISTOR		
	Q 3	UN2111-X	TRANSISTOR		
	Q 4	UN2111-X	TRANSISTOR		
	Q 5	2SB709A/R/-X	TRANSISTOR		
	Q 6	2SB8157/-X	TRANSISTOR		
	Q 7	UN2211-X	TRANSISTOR		
	Q 9	UN2111-X	TRANSISTOR		
	Q 31	UN2211-X	TRANSISTOR		
	Q 51	2SC2412K/R/-X	TRANSISTOR		
	Q 52	2SC2412K/R/-X	TRANSISTOR		
	Q 53	UN2211-X	TRANSISTOR		
	Q 81	2SD601A/R/-X	TRANSISTOR		
	Q 91	2SD601A/R/-X	TRANSISTOR		
	Q 241	2SD601A/R/-X	TRANSISTOR		
	Q 321	2SD1781K/QR/-X	TRANSISTOR		
	Q 331	2SD1781K/QR/-X	TRANSISTOR		
	Q 341	2SD1781K/QR/-X	TRANSISTOR		
	Q 351	2SD1781K/QR/-X	TRANSISTOR		
	Q 501	2SB1322/RS/-T	TRANSISTOR		
	Q 521	2SB1322/RS/-T	TRANSISTOR		
	Q 781	UN2111-X	TRANSISTOR		
	Q 782	UN2211-X	TRANSISTOR		
	Q 784	UN2111-X	TRANSISTOR		
	Q 841	UN2211-X	TRANSISTOR		
	Q 881	UN2211-X	TRANSISTOR		
	Q 891	UN2211-X	TRANSISTOR		
	Q 976	UN2211-X	TRANSISTOR		
	Q 977	2SA1037AK/RS/-X	TRANSISTOR		
	R 1	NRS181J-8R2X	MG RESISTOR		
	R 2	NRSA63J-473X	MG RESISTOR		
	R 3	NRSA63J-472X	MG RESISTOR		
	R 4	NRSA63J-332X	MG RESISTOR		
	R 5	NRSA63J-473X	MG RESISTOR		
	R 6	NRSA63J-473X	MG RESISTOR		
	R 7	NRSA63J-472X	MG RESISTOR		
	R 9	NRSA63J-0R0X	MG RESISTOR		
	R 31	NRS181J-100X	MG RESISTOR		
	R 32	NRSA63J-622X	MG RESISTOR		
	R 33	NRSA63J-473X	MG RESISTOR		
	R 34	NRSA63J-222X	MG RESISTOR		

△	Item	Parts number	Parts name	Remarks	Area
	R 35	NRSA63J-222X	MG RESISTOR		
	R 36	NRSA63J-222X	MG RESISTOR		
	R 37	NRSA63J-222X	MG RESISTOR		
	R 38	NRSA63J-101X	MG RESISTOR		
	R 39	NRSA63J-0R0X	MG RESISTOR		
	R 40	NRSA63J-393X	MG RESISTOR		
	R 41	NRSA63J-103X	MG RESISTOR		
	R 42	NRS181J-100X	MG RESISTOR		
	R 43	NRSA63J-471X	MG RESISTOR		
	R 44	NRSA63J-221X	MG RESISTOR		
	R 51	NRSA63J-223X	MG RESISTOR		
	R 52	NRSA63J-473X	MG RESISTOR		
	R 53	NRSA63J-473X	MG RESISTOR		
	R 54	NRSA63J-103X	MG RESISTOR		
	R 55	NRSA63J-222X	MG RESISTOR		
	R 56	NRSA63J-103X	MG RESISTOR		
	R 57	NRSA63J-153X	MG RESISTOR		
	R 58	NRSA63J-471X	MG RESISTOR		
	R 59	NRSA63J-473X	MG RESISTOR		
	R 71	NRSA63J-222X	MG RESISTOR		
	R 72	NRSA63J-222X	MG RESISTOR		
	R 73	NRSA63J-222X	MG RESISTOR		
	R 74	NRSA02J-101X	MG RESISTOR		
	R 81	NRSA63J-822X	MG RESISTOR		
	R 82	NRSA63J-183X	MG RESISTOR		
	R 83	NRSA63J-472X	MG RESISTOR		
	R 91	NRSA63J-822X	MG RESISTOR		
	R 92	NRSA63J-183X	MG RESISTOR		
	R 93	NRSA63J-472X	MG RESISTOR		
	R 161	NRSA63J-224X	MG RESISTOR		
	R 164	NRSA63J-473X	MG RESISTOR		
	R 165	NRSA63J-473X	MG RESISTOR		
	R 166	NRSA63J-682X	MG RESISTOR		
	R 167	NRSA63J-224X	MG RESISTOR		
	R 171	NRSA63J-224X	MG RESISTOR		
	R 174	NRSA63J-473X	MG RESISTOR		
	R 175	NRSA63J-473X	MG RESISTOR		
	R 176	NRSA63J-682X	MG RESISTOR		
	R 177	NRSA63J-224X	MG RESISTOR		
	R 181	NRSA63J-222X	MG RESISTOR		
	R 182	NRSA63J-222X	MG RESISTOR		
	R 190	NRSA63J-332X	MG RESISTOR		
	R 199	NRSA63J-332X	MG RESISTOR		
	R 202	NRSA63J-105X	MG RESISTOR		
	R 241	NRSA63J-473X	MG RESISTOR		
	R 242	NRSA63J-223X	MG RESISTOR		
	R 243	NRSA63J-184X	MG RESISTOR		
	R 244	NRSA63J-123X	MG RESISTOR		
	R 245	NRSA63J-101X	MG RESISTOR		
	R 246	NRSA63J-102X	MG RESISTOR		
	R 247	NRSA63J-184X	MG RESISTOR		
	R 301	NRSA63J-273X	MG RESISTOR		
	R 302	NRSA63J-273X	MG RESISTOR		
	R 311	NRSA63J-273X	MG RESISTOR		
	R 312	NRSA63J-273X	MG RESISTOR		
	R 321	NRSA63J-222X	MG RESISTOR		
	R 322	NRSA63J-821X	MG RESISTOR		
	R 323	NRSA63J-101X	MG RESISTOR		
	R 331	NRSA63J-222X	MG RESISTOR		
	R 332	NRSA63J-821X	MG RESISTOR		
	R 333	NRSA63J-101X	MG RESISTOR		
	R 341	NRSA63J-222X	MG RESISTOR		
	R 342	NRSA63J-821X	MG RESISTOR		

■ Electrical parts list (Main board)

Block No. 01

△	Item	Parts number	Parts name	Remarks	Area	△	Item	Parts number	Parts name	Remarks	Area
	R 343	NRSA63J-101X	MG RESISTOR				R 711	NRSA63J-0R0X	MG RESISTOR		
	R 351	NRSA63J-222X	MG RESISTOR				R 712	NRSA63J-0R0X	MG RESISTOR		
	R 352	NRSA63J-821X	MG RESISTOR				R 713	NRSA63J-0R0X	MG RESISTOR		
	R 353	NRSA63J-101X	MG RESISTOR				R 714	NRSA63J-473X	MG RESISTOR		
	R 501	NRSA63J-822X	MG RESISTOR				R 715	NRSA63J-0R0X	MG RESISTOR		
	R 502	NRSA63J-562X	MG RESISTOR				R 716	NRSA63J-0R0X	MG RESISTOR		
	R 503	NRSA63J-242X	MG RESISTOR				R 719	NRSA63J-0R0X	MG RESISTOR		
	R 504	NRSA63J-203X	MG RESISTOR				R 720	NRSA63J-122X	MG RESISTOR		
	R 506	NRSA63J-822X	MG RESISTOR				R 721	NRSA63J-102X	MG RESISTOR		
	R 507	NRSA63J-203X	MG RESISTOR				R 722	NRSA63J-103X	MG RESISTOR		
	R 521	NRSA63J-473X	MG RESISTOR				R 723	NRSA63J-103X	MG RESISTOR		
	R 522	NRSA63J-473X	MG RESISTOR				R 724	NRSA63J-0R0X	MG RESISTOR		
	R 523	NRSA63J-473X	MG RESISTOR				R 725	NRSA63J-103X	MG RESISTOR		
	R 524	NRSA63J-473X	MG RESISTOR				R 726	NRSA63J-103X	MG RESISTOR		
	R 525	NRSA63J-104X	MG RESISTOR				R 728	NRSA63J-103X	MG RESISTOR		
	R 526	NRSA63J-104X	MG RESISTOR				R 729	NRSA63J-473X	MG RESISTOR		
	R 527	NRSA02J-220X	MG RESISTOR				R 730	NRSA63J-103X	MG RESISTOR		
	R 528	NRSA02J-220X	MG RESISTOR				R 731	NRSA63J-473X	MG RESISTOR		
	R 529	NRSA63J-273X	MG RESISTOR				R 732	NRSA63J-103X	MG RESISTOR		
	R 530	NRSA63J-473X	MG RESISTOR				R 733	NRSA63J-103X	MG RESISTOR		
	R 531	NRSA63J-222X	MG RESISTOR				R 734	NRSA63J-222X	MG RESISTOR		
	R 532	NRSA63J-153X	MG RESISTOR				R 735	NRSA63J-222X	MG RESISTOR		
	R 533	NRSA63J-682X	MG RESISTOR				R 736	NRSA63J-222X	MG RESISTOR		
	R 534	NRSA63J-473X	MG RESISTOR				R 737	NRSA63J-0R0X	MG RESISTOR		
	R 541	NRSA63J-472X	MG RESISTOR				R 738	NRSA63J-472X	MG RESISTOR		
	R 542	NRSA63J-472X	MG RESISTOR				R 739	NRSA63J-472X	MG RESISTOR		
	R 543	NRSA63J-472X	MG RESISTOR				R 740	NRSA63J-472X	MG RESISTOR		
	R 544	NRSA63J-472X	MG RESISTOR				R 741	NRSA63J-103X	MG RESISTOR		
	R 545	NRSA63J-103X	MG RESISTOR				R 742	NRSA63J-103X	MG RESISTOR		
	R 546	NRSA63J-103X	MG RESISTOR				R 743	NRSA63J-103X	MG RESISTOR		
	R 547	NRSA63J-473X	MG RESISTOR				R 744	NRSA63J-103X	MG RESISTOR		
	R 548	NRSA63J-683X	MG RESISTOR				R 745	NRSA63J-103X	MG RESISTOR		
	R 549	NRSA63J-474X	MG RESISTOR				R 746	NRSA63J-103X	MG RESISTOR		
	R 550	NRSA63J-333X	MG RESISTOR				R 747	NRSA63J-472X	MG RESISTOR		
	R 551	NRSA63J-103X	MG RESISTOR				R 748	NRSA63J-472X	MG RESISTOR		
	R 552	NRSA63J-152X	MG RESISTOR				R 749	NRSA63J-472X	MG RESISTOR		
	R 553	NRSA63J-153X	MG RESISTOR				R 750	NRSA63J-103X	MG RESISTOR		
	R 554	NRSA63J-332X	MG RESISTOR				R 751	NRSA63J-103X	MG RESISTOR		
	R 555	NRSA63J-332X	MG RESISTOR				R 752	NRSA63J-473X	MG RESISTOR		
	R 556	NRSA63J-682X	MG RESISTOR				R 753	NRSA63J-473X	MG RESISTOR		
	R 557	NRSA63J-152X	MG RESISTOR				R 754	NRSA63J-821X	MG RESISTOR		
	R 558	NRS181J-101X	MG RESISTOR				R 755	NRSA63J-106X	MG RESISTOR		
	R 581	NRSA63J-243X	MG RESISTOR				R 756	NRSA8AJ-0R0X	MG RESISTOR		
	R 582	NRSA63J-223X	MG RESISTOR				R 757	NRSA63J-222X	MG RESISTOR		
	R 583	NRSA63J-223X	MG RESISTOR				R 758	NRSA63J-473X	MG RESISTOR		
	R 584	NRSA63J-333X	MG RESISTOR				R 759	NRSA63J-473X	MG RESISTOR	KD-SX991R	
	R 585	NRSA63J-123X	MG RESISTOR				R 760	NRSA63J-473X	MG RESISTOR	KD-SX911R	
	R 586	NRSA63J-152X	MG RESISTOR				R 761	NRSA63J-103X	MG RESISTOR		
	R 591	NRSA63J-243X	MG RESISTOR				R 763	NRSA63J-102X	MG RESISTOR		
	R 592	NRSA63J-223X	MG RESISTOR				R 764	NRSA63J-101X	MG RESISTOR		
	R 593	NRSA63J-223X	MG RESISTOR				R 765	NRSA8AJ-0R0X	MG RESISTOR		
	R 594	NRSA63J-333X	MG RESISTOR				R 771	NRSA63J-271X	MG RESISTOR		
	R 595	NRSA63J-123X	MG RESISTOR				R 772	NRSA63J-271X	MG RESISTOR		
	R 596	NRSA63J-152X	MG RESISTOR				R 783	NRSA63J-102X	MG RESISTOR		
	R 701	NRSA63J-473X	MG RESISTOR				R 784	NRSA63J-473X	MG RESISTOR		
	R 702	NRSA63J-0R0X	MG RESISTOR				R 801	NRSA63J-473X	MG RESISTOR		
	R 703	NRSA63J-0R0X	MG RESISTOR				R 802	NRSA63J-473X	MG RESISTOR		
	R 704	NRSA63J-473X	MG RESISTOR				R 803	NRSA63J-101X	MG RESISTOR		
	R 705	NRSA63J-473X	MG RESISTOR				R 804	NRSA63J-223X	MG RESISTOR		
	R 706	NRSA63J-473X	MG RESISTOR				R 805	NRSA63J-104X	MG RESISTOR		
	R 707	NRSA63J-473X	MG RESISTOR				R 806	NRSA63J-103X	MG RESISTOR		
	R 709	NRSA63J-473X	MG RESISTOR				R 807	NRSA63J-104X	MG RESISTOR		
	R 710	NRSA63J-0R0X	MG RESISTOR				R 808	NRSA63J-331X	MG RESISTOR		

■ Electrical parts list (Main board)

Block No. 01

△	Item	Parts number	Parts name	Remarks	Area
	R 809	NRSA63J-223X	MG RESISTOR		
	R 810	NRSA63J-101X	MG RESISTOR		
	R 841	NRSA63J-102X	MG RESISTOR		
	R 872	NRSA63J-473X	MG RESISTOR		
	R 881	NRSA63J-473X	MG RESISTOR		
	R 882	NRSA63J-472X	MG RESISTOR		
	R 891	NRSA63J-102X	MG RESISTOR		
	R 892	NRSA63J-473X	MG RESISTOR		
	R 901	QRE142J-102X	C RESISTOR	1.0K 5% 1/4W	
	R 902	NRSA02J-912X	MG RESISTOR		
	R 903	NRSA02J-472X	MG RESISTOR		
	R 971	NRS181J-222X	MG RESISTOR		
	R 972	NRS181J-222X	MG RESISTOR		
	R 976	NRSA02J-273X	MG RESISTOR		
	R 977	NRSA02J-123X	MG RESISTOR		
	S 701	QSW0451-001	DETECT SWITCH	DETACH	
	S 702	QSW0451-001	DETECT SWITCH	OPEN	
	S 703	QSW0534-001	RESET SWITCH	RESET	
	TU 1	QAU0222-001	TUNER		
	X 31	QAX0616-001Z	CRYSTAL		
	X 71	QAX0263-001Z	CRYSTAL		
	X 541	QAX0413-001Z	CRYSTAL		
	X 701	QAX0617-001Z	CRYSTAL		
	X 702	QAX0401-001	CRYSTAL		

■ Electrical parts list (Front board)

Block No. 02

△	Item	Parts number	Parts name	Remarks	Area
	C 601	NBE20JM-475X	TS E CAPACITOR		
	C 602	NCB31HK-103X	C CAPACITOR		
	C 603	NCS31HJ-221X	C CAPACITOR		
	C 604	NCB31AK-224X	C CAPACITOR		
	C 605	NCB31AK-224X	C CAPACITOR		
	C 606	NBE20JM-475X	TS E CAPACITOR		
	CN601	QNZ0006-001	CAR CONNECTOR		
	D 601	SML-310LT/MN/-X	LED		
	D 602	SML-310VT/JK/-X	LED		
	D 603	SML-310VT/JK/-X	LED		
	D 604	SML-310VT/JK/-X	LED		
	D 605	SML-310VT/JK/-X	LED		
	D 606	SML-310VT/JK/-X	LED		
	D 607	SML-310VT/JK/-X	LED		
	D 608	SML-310VT/JK/-X	LED		
	D 609	SML-310VT/JK/-X	LED		
	D 610	SML-310VT/JK/-X	LED		
	D 611	SML-310VT/JK/-X	LED		
	D 612	SML-310VT/JK/-X	LED		
	D 613	SML-310VT/JK/-X	LED		
	D 614	SML-310VT/JK/-X	LED		
	D 615	SML-310VT/JK/-X	LED		
	D 616	SML-310VT/JK/-X	LED		
	D 617	SML-310VT/JK/-X	LED		
	D 618	SML-310VT/JK/-X	LED		
	D 619	SML-310VT/JK/-X	LED		
	D 620	SML-310VT/JK/-X	LED		
	D 621	LNJ308G81/1-3/X	LED		
	D 622	SML-310VT/JK/-X	LED		
	D 623	SML-310VT/JK/-X	LED		
	D 628	SML-310VT/JK/-X	LED		
	D 629	SML-310VT/JK/-X	LED		
	D 641	NSPW310BS/BRS/	LED		
	D 642	NSPW310BS/BQ/	LED		
	D 643	NSPW310BS/BRS/	LED		
	D 651	UDZS5.1B-X	ZENER DIODE		
	D 652	1SS355-X	DIODE		
	D 653	1SS355-X	DIODE		
	D 654	1SS355-X	DIODE		
	D 655	1SS355-X	DIODE		
	D 656	1SS355-X	DIODE		
	D 657	UDZS5.6B-X	ZENER DIODE		
	D 658	1SS355-X	DIODE		
	D 659	1SS355-X	DIODE		
	EN601	QSW0863-001	JOG SHUTTLE SWITCH		
	IC601	LC75873NW	IC		
	IC602	RPM6938-SV4	IC		
	Q 641	2SB815/7/-X	TRANSISTOR		
	Q 642	UN2211-X	TRANSISTOR		
	R 601	NRSA63J-821X	MG RESISTOR		
	R 602	NRSA63J-821X	MG RESISTOR		
	R 603	NRSA63J-122X	MG RESISTOR		
	R 604	NRSA63J-182X	MG RESISTOR		
	R 605	NRSA63J-272X	MG RESISTOR		
	R 606	NRSA63J-821X	MG RESISTOR		
	R 607	NRSA63J-821X	MG RESISTOR		
	R 608	NRSA63J-122X	MG RESISTOR		
	R 609	NRSA63J-182X	MG RESISTOR		
	R 611	NRSA63J-272X	MG RESISTOR		
	R 612	NRSA63J-821X	MG RESISTOR		
	R 613	NRSA63J-821X	MG RESISTOR		
	R 614	NRSA63J-122X	MG RESISTOR		
	R 615	NRSA63J-182X	MG RESISTOR		

△	Item	Parts number	Parts name	Remarks	Area
	R 616	NRSA63J-272X	MG RESISTOR		
	R 617	NRSA63J-392X	MG RESISTOR		
	R 620	NRS181J-471X	MG RESISTOR		
	R 621	NRS181J-271X	MG RESISTOR		
	R 622	NRS181J-271X	MG RESISTOR		
	R 623	NRS181J-271X	MG RESISTOR		
	R 624	NRS181J-391X	MG RESISTOR		
	R 625	NRS181J-431X	MG RESISTOR		
	R 626	NRS181J-271X	MG RESISTOR		
	R 627	NRS181J-391X	MG RESISTOR		
	R 628	NRS181J-561X	MG RESISTOR		
	R 629	NRS181J-511X	MG RESISTOR		
	R 630	NRS181J-511X	MG RESISTOR		
	R 641	NRS181J-471X	MG RESISTOR	KD-SX991R	
	R 641	NRS181J-102X	MG RESISTOR	KD-SX911R	
	R 642	NRS181J-102X	MG RESISTOR	KD-SX911R	
	R 642	NRS181J-471X	MG RESISTOR	KD-SX991R	
	R 643	NRS181J-471X	MG RESISTOR	KD-SX991R	
	R 643	NRS181J-102X	MG RESISTOR	KD-SX911R	
	R 644	NRS181J-471X	MG RESISTOR		
	R 645	NRSA63J-473X	MG RESISTOR		
	R 646	NRS181J-102X	MG RESISTOR		
	R 650	NRSA02J-101X	MG RESISTOR		
	R 651	NRSA63J-473X	MG RESISTOR		
	R 652	NRSA63J-473X	MG RESISTOR		
	R 653	NRS181J-102X	MG RESISTOR		
	R 654	NRSA02J-221X	MG RESISTOR		
	R 655	NRSA02J-394X	MG RESISTOR		
	R 656	NRSA63J-334X	MG RESISTOR		
	R 657	NRSA63J-103X	MG RESISTOR		
	R 658	NRSA63J-470X	MG RESISTOR		
	R 661	NRSA63J-332X	MG RESISTOR		
	R 662	NRSA63J-332X	MG RESISTOR		
	R 663	NRSA63J-332X	MG RESISTOR		
	R 669	NRSA63J-103X	MG RESISTOR		
	R 670	NRSA63J-103X	MG RESISTOR		
	R 671	NRSA63J-103X	MG RESISTOR		
	S 601	NSW0066-001X	TACT SWITCH		
	S 602	NSW0066-001X	TACT SWITCH		
	S 603	NSW0066-001X	TACT SWITCH		
	S 604	NSW0066-001X	TACT SWITCH		
	S 605	NSW0066-001X	TACT SWITCH		
	S 606	NSW0066-001X	TACT SWITCH		
	S 607	NSW0066-001X	TACT SWITCH		
	S 608	NSW0066-001X	TACT SWITCH		
	S 609	NSW0066-001X	TACT SWITCH		
	S 610	NSW0066-001X	TACT SWITCH		
	S 611	NSW0066-001X	TACT SWITCH		
	S 613	NSW0066-001X	TACT SWITCH		
	S 614	NSW0066-001X	TACT SWITCH		
	S 615	NSW0066-001X	TACT SWITCH		
	S 616	NSW0066-001X	TACT SWITCH		
	S 617	NSW0066-001X	TACT SWITCH		
	S 618	NSW0066-001X	TACT SWITCH		
	S 619	NSW0066-001X	TACT SWITCH		
	S 620	NSW0066-001X	TACT SWITCH		

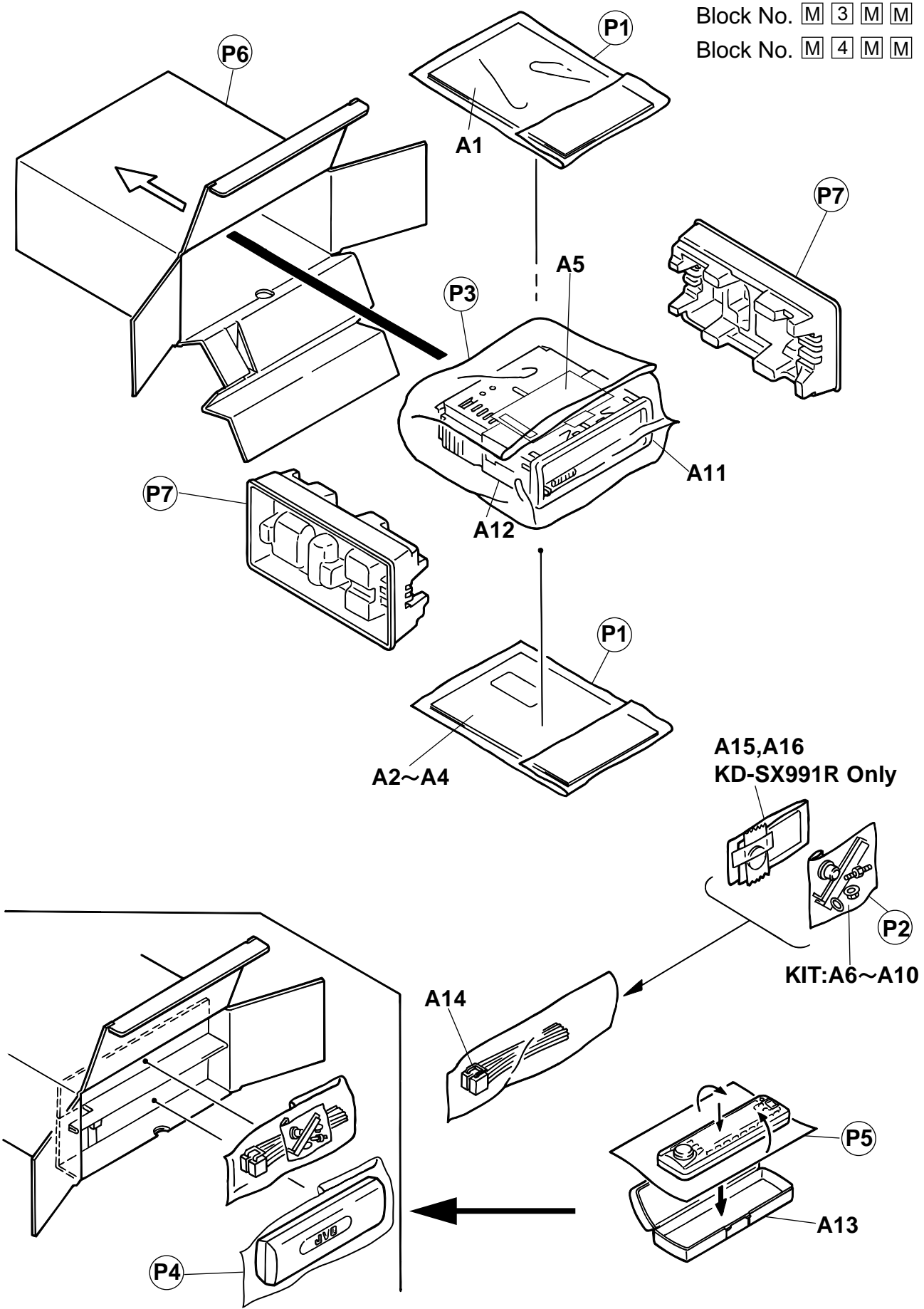
Packing materials and accessories parts list

Block No.

M	3	M	M
---	---	---	---

Block No.

M	4	M	M
---	---	---	---



Parts list (Packing)

Block No. M3MM

△	Item	Parts number	Parts name	Q'ty	Description	Area
	P 1	FSPG4002-001	POLY BAG	2	INSTRUCTIONS	
	P 2	QPA00801205	POLY BAG	1	KIT	
	P 3	QPC03004315P	POLY BAG	1	SET	
	P 4	QPA01003003	POLY BAG	1		
	P 5	FSYH4036-068	SHEET	1		
	P 6	GE30123-022A	CARTON	1	KD-SX991R	
		GE30123-021A	CARTON	1	KD-SX911R	
	P 7	GE10008-001A	EPS CUSHION	2		

Parts list (Accessories)

Block No. M4MM

△	Item	Parts number	Parts name	Q'ty	Description	Area
	A 1	GET0021-002A	INSTRUCTIONS	1	SPA,ITA,SWE,FIN	
	A 2	GET0021-001A	INSTRUCTIONS	1	ENG,GER,FRE,DUT	
	A 3	GET0021-004A	INSTALL MANUAL	1	SPA,ITA,SWE,FIN	
		GET0021-003A	INSTALL MANUAL	1	ENG,GER,FRE,DUT	
	A 4	BT-54013-1	WARRANTY CARD	1		
	A 5	LV40978-001A	CAUTION SHEET	1		
	A 6	VKZ4027-202	PLUG NUT	1		
	A 7	VKH4871-001SS	MOUNT BOLT	1		
	A 8	VKZ4328-001	LOCK NUT	1		
	A 9	WNS5000Z	WASHER	1		
	A 10	FSKL4010-002	HOOK	2		
	A 11	FSJD2034-001	TRIM PLATE	1		
	A 12	FSKM2004-202	MOUNTING SLEEVE	1		
	A 13	FSJB3001-30C	HARD CASE	1		
	A 14	QAM0176-001	CAR CABLE	1		
	A 15	QAB0014-001	BATTERY	1	KD-SX991R	
	A 16	RM-RK31	REMOCON	1	KD-SX991R	
	KIT	KDGS717K-SCREW1	SCREW PARTS KIT	1	A6-A10	